

24" CLASS (24" DIAGONAL)

W2420R

LCD
MONITOR

LCD Wide Color Gamut Professional Graphic Monitor



W2420R
with hood



LG's new Professional Graphic Monitor, the W2420R, is designed for professionals who need to manage their colors. Its 24-inch class LED backlight widescreen accurately supports more than 1 billion colors. This premium graphic monitor was developed to meet the high demands of graphic users, photographers, and professionals in the film, animation, broadcasting, printing, and CAD/CAM/CAE fields.

PANEL TYPE: S-IPS

ASPECT RATIO: 16:10

BRIGHTNESS: 250CD/M2

CONTRAST RATIO (TYPICAL): 1000:1

ON/OFF RESPONSE TIME: 6MS (TYPICAL)

BACKLIGHT TYPE: RGB LED

DISPLAY COLOR: 1.073 BILLION

GAMUT COVERAGE: SRGB 100%
ADOBE RGB 100%

www.LGcommercial.com



LG
Life's Good



TECHNOLOGY

VIVID AND RICH COLORS

Using RGB LED backlight technology, the LG W2420R Professional Graphic Monitor provides more vivid and uniform colors.

Wide Color Space

An ultra wide color gamut with RGB LED technology to support graphics applications, digital cameras, and printing.

1 Billion Colors from a 30-bit Panel

The rich gradation of 1 billion colors displays true colors while maintaining crisp outlines.

Super IPS Panel Technology

A wide viewing angle with 178 degrees in all four directions helps maintain excellent color uniformity.

16-bit Internal Processing & 12-bit LUT

Gamma levels are calibrated at the production plant by measuring the Red, Green, and Blue gamma values from 0 to 255, and then using only the 12-bit look-up table (LUT). Each monitor comes with an adjustment certificate that certifies the measurement results of the gamma value.

High Uniformity Correction

Brightness and chroma is adjusted based on data measured at our factory in order to reduce uniformity errors.

Deep Color HDMI 1.3

More distinct and precise colors are expressed in improving contrast ratio as well as the gradation between white and black.

CORRECT AND ACCURATE COLORS

The W2420R's hardware calibration function expresses the intended color gamut by preserving the original input source. In addition, the True Color Finder enables consistent emulation and the verification of calibration results.

Hardware Calibration

Colors are adjusted within the monitor itself, producing more reliable hues and tones.

True Color Finder

In conjunction with the Spyder3 calibrator, color is automatically calibrated by setting target values for brightness, white point (color temperature or color coordinates), and gamma.

Color Profile

Based on hardware calibration, color matching is done by referencing the color characteristics of a monitor, printer, or other graphics peripheral.

CONNECTIONS

CONVENIENT CONNECTIVITY

USB PORT

USB devices can be conveniently connected to the W2420R using the built-in upstream USB port and four built-in downstream ports.



VARIOUS INTERFACES

The W2420R can be connected to an HDMI supported DVD player, camera, and camcorder, etc., as well as to DVH and DVI-D terminals to connect to a PC.



FEATURES



SWOP CERTIFICATION

The LG Professional Graphic Monitor W2420R received a graphic certification from IDEAlliance, which is given to officially certified systems that comply with all criteria of ISO 12647-7.

STAND HEIGHT

The height control function enables users to set the monitor to their eye level. (Height can be adjusted up to 100mm.)



PIVOT STAND

Using the screen rotation function, the monitor can be turned 90 degrees clockwise for vertical screen display. This is useful for graphics work such as developing posters.



ACCESSORIES

Hood & Calibrator

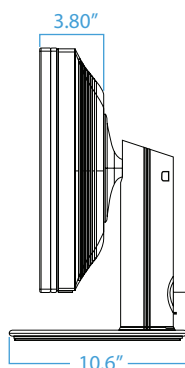
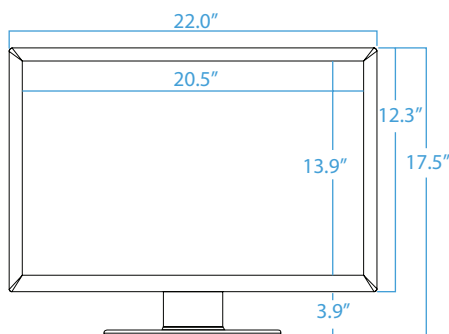
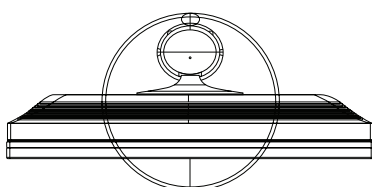
A flexible external light-blocking hood is included to allow for more accurate color calibration by minimizing light reflection and interference from sunlight or artificial light (Holder ready for calibrator cable). The compact colorimeter attaches easily to the screen and works in conjunction with the True Color Finder software, taking full advantage of the hardware capabilities of the W2420R.

SWIVEL, TILT

For a more convenient viewing angle, the display screen can be moved up/down by 22/6 degrees, and left/right by 350 degrees for your viewing convenience.



SPECIFICATIONS

**FEATURES**

Size (Inch)	24"
Panel Type	S-IPS
Screen Uniformity	90%*(Normal panel 80%)
Aspect Ratio	16:10
Pixel Pitch (mm)	0.270x0.270
Resolution	1920x1200
Brightness (cd/m2)	250
Contrast Ratio (Typical)	1000:1
On/Off Response Time (Typical)	6ms
Viewing Angle (CR 10)	178° / 178°
Backlight Type	RGB LED
Color Gamut (CIE1976)	135%
Display color	1.073 billion
Look-Up Table	12 bits per color
Internal Processing	16 bits per color
Gamut Coverage	sRGB 100% Adobe RGB 100%
Surface Treatment (Glare/non Glare)	Non glare

JACK INPUT/OUTPUT

PC Input	DVI-D X 1, DVH X 1
AV Input	HDMI 1.3 X 1
Others	USB 2.0 (1Up 4 Down)
Headphone Out	Yes

POWER CONSUMPTION

Normal On (Typ.)	64 W
Power Save/Sleep Mode (Max)	2W under
DC Off (Max)	1W under

FREQUENCY

Analog	30 ~ 83Khz / 56 ~ 75Hz
Digital	30 ~ 83Khz / 56 ~ 75Hz

SPECIAL FEATURES

4:3 Wide (auto)	Yes
sRGB	Yes
DDC/CI	Yes
HDCP	Yes
Intelligent Auto (Auto Resolution)	Yes
Deep Color (xvYCC)	Yes
Plug & Play	Yes
Calibration Program	Yes

STAND

Base Detachable	Yes
Tilt (Angle)	Yes / -5° (front) ~ 15° (rear)
Swivel (Angle)	Yes (350 degree)
Height (mm)	100
Pivot	Yes

SIZE/WEIGHT

Base Detachable	Yes
Tilt (Angle)	Yes / -5° (front) ~ 15° (rear)
Swivel (Angle)	Yes (350 degree)
Height (mm)	100
Pivot	Yes

STANDARD/PACKAGE CONTENTS

Standard	SWOP, TCO03, TCO99, UL (cUL), TUV-GS, SEMKO,
Package Contents	Monitor, Stand, Power cable, HDMI 1.3 cable, DVI-D cable, DVH to D-sub cable, USB cable, Hood, H/W Calibrator (Spyder3), Calibration S/W (True Color Finder)
UPC	719192186306

www.LGcommercial.com

LG Electronics U.S.A., Inc.
Business Solutions Division
2000 Millbrook Drive
Lincolnshire, IL 60069

Customer Service: 888.865.3026

Contact your LG Regional Sales Representative:
Enterprise: 800.897.8788
Channel: 800.897.8871
E-mail: LGcommercial@lge.com

SPEC_W2420R_090927_PR

All screen images are simulated. Dimensions and weights are approximate. Design, features and specifications subject to change without notice.

© Copyright 2009 LG Electronics USA, Inc. All Rights Reserved. "LG Life's Good" is a registered trademark of LG Corp. In Plane Switching is a trademark of LG Philips LCD Ltd.

All other product and brand names are trademarks or registered trademarks of their respective companies.

Printed in the USA. September 2009



LG
Life's Good